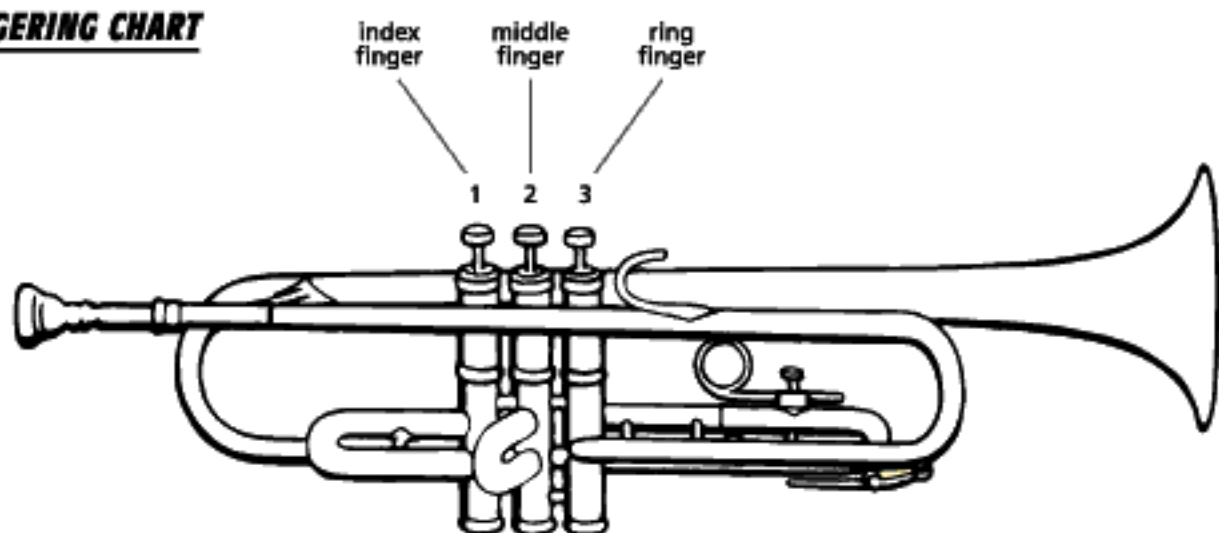


TRUMPET FINGERING CHART



F \sharp G \flat G G \flat A \flat A A \sharp B \flat

1 2 3 1 3 2 3 1 2 1

B C C \sharp D \flat D D \sharp E \flat

2 0 1 2 3 1 3 2 3

E F F \sharp G \flat G G \flat A \flat

1 2 1 2 0 2 3

A A \sharp B \flat B C C \sharp D \flat

1 2 1 2 0 1 2

D D \sharp E \flat E F F \sharp G \flat G

1 2 0 1 2 0

G \sharp A \flat A A \sharp B \flat B C

2 3 1 2 1 2 0